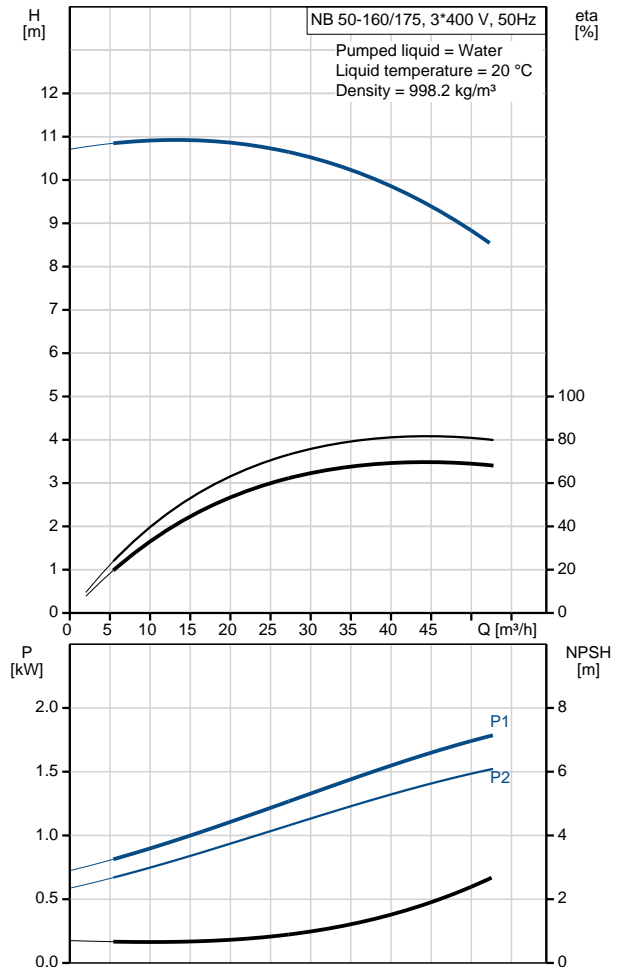


Description	Value
General information:	
Product name:	NB 50-160/175 A-F2-A-BAQE
Product No:	97839375
EAN number:	5710625516453
Price:	On request
Technical:	
Speed for pump data:	1450 rpm
Rated flow:	45.2 m³/h
Rated head:	9.2 m
Actual impeller diameter:	175 mm
Impeller nom:	160 mm
Primary shaft seal:	BAQE
Secondary shaft seal:	NONE
Shaft diameter:	24 mm
Curve tolerance:	ISO9906:2012 3B
Pump version:	A
Materials:	
Pump housing:	Cast iron
	EN-GJL-250
	ASTM A48-40 B
Impeller:	Cast iron
	EN-GJL-200
	ASTM A48-30 B
Material code:	A
Installation:	
Maximum ambient temperature:	60 °C
Maximum operating pressure:	16 bar
Flange standard:	EN 1092-2
Connect code:	F2
Pump inlet:	DN 65
Pump outlet:	DN 50
Pressure stage:	PN 16
Wear ring(s):	neckring(s)
Liquid:	
Pumped liquid:	Water
Liquid temperature range:	0 .. 120 °C
Liquid temp:	20 °C
Density:	998.2 kg/m³
Electrical data:	
Motor type:	90LC
IE Efficiency class:	IE3
Rated power - P2:	1.5 kW
Mains frequency:	50 Hz
Rated voltage:	3 x 220-240D/380-415Y V
Rated current:	6,15-6,30/3,55-3,65 A
Starting current:	730-790 %
Cos phi - power factor:	0,75-0,68
Rated speed:	1450-1460 rpm
Efficiency:	IE3 85,3%
Motor efficiency at full load:	85.3 %
Motor efficiency at 3/4 load:	85.8 %
Motor efficiency at 1/2 load:	84.2 %
Number of poles:	4
Enclosure class (IEC 34-5):	55 Dust/Jetting





Company name:

Created by:

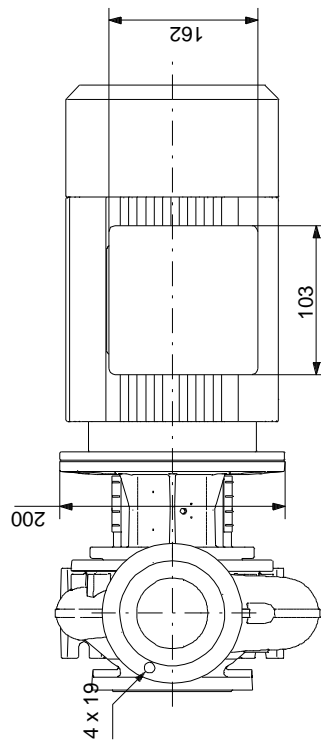
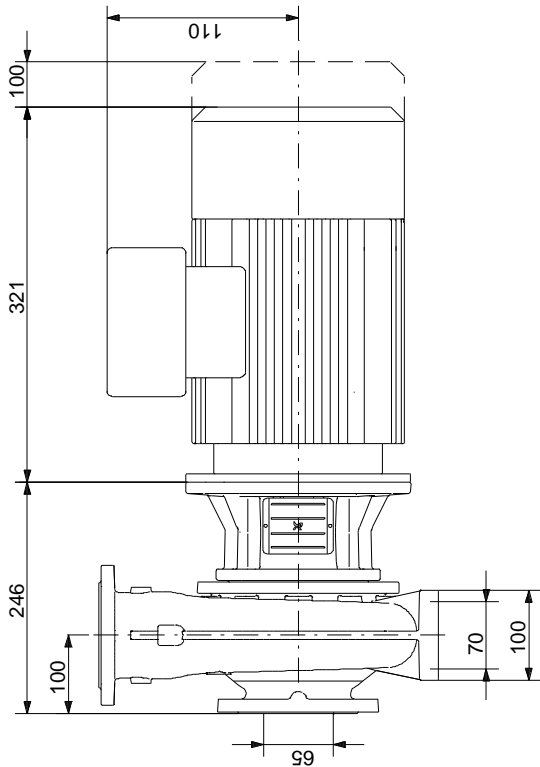
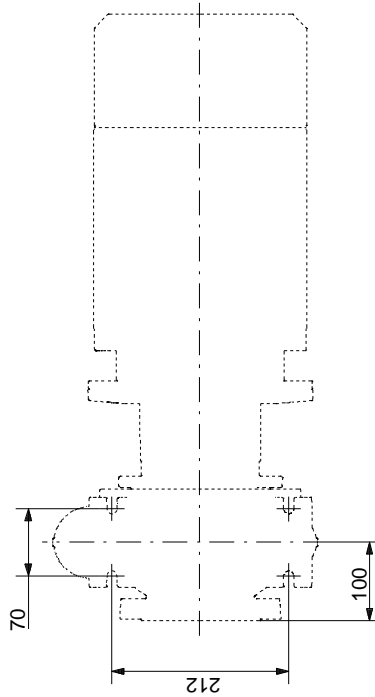
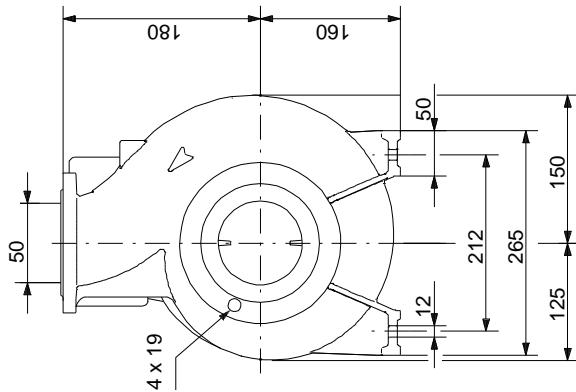
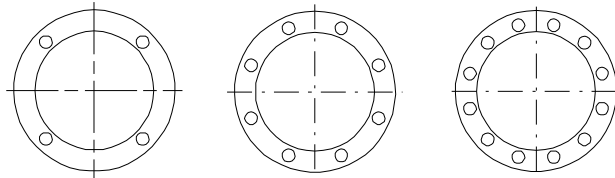
Phone:

Date:

10/11/2016

Description	Value
Insulation class (IEC 85):	F
Motor protec:	NONE
Motor No:	87220319
Mount. design. acc. IEC 34-7:	IM V1/B5
Lubricant type:	Grease
Others:	
Label:	Grundfos Blueflux
Minimum efficiency index, MEI :	0.70
ErP status:	EuP Standalone/Prod.
Net weight:	53 kg
Gross weight:	72 kg
Shipping volume:	0.173 m ³

97839375 NB 50-160/175 50 Hz



Note! All units are in [mm] unless others are stated.
Disclaimer: This simplified dimensional drawing does not show all details.